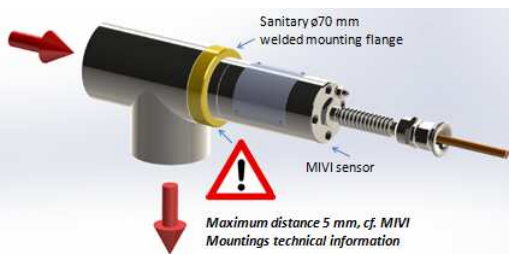


### Sanitary mounting flange kit for MIVI sensor

*To be welded*



#### Pipe angle mounting – Recommended Sofraser mounting



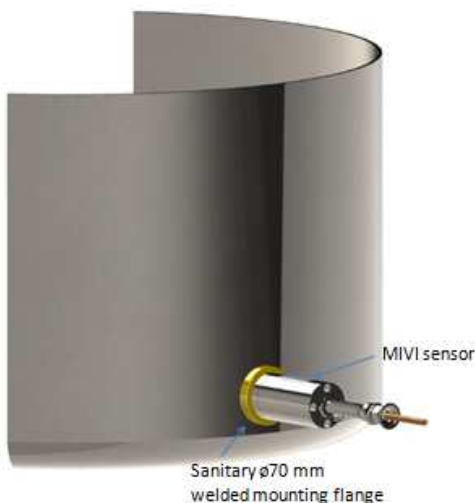
### THE RECOMMENDED SOFRASER MOUNTING FOR ON PIPE OR ON REACTOR INSTALLATIONS

Sofraser's proprietary sanitary 316L SS mounting flange is the most suitable mounting to cover the vast majority of industrial installations. It can be welded either on pipe angles or on reactor walls. Easy to install and available in many versions: standard, high temperature, high pressure and even in special materials and sizes according to your specifications. Its robustness allows perfect MIVI viscometer mounting for both optimizing the fluid measurement conditions and your installation configuration.

- **Included in the sanitary mounting flange kit for MIVI sensor:**

- 1 x flange to be welded - External diameter: 70 mm / 2<sup>3</sup>/<sub>4</sub>" (larger on request)
- 3 x O'rings (Viton®, PTFE or others on request)
- 1 x ring, to be screwed if no protector is installed
- 1 x cap (allows pre-mounting before sensor installation. Also needed when removing the sensor)
- 4 x screws M6x20, to hold the cap

#### On reactor wall mounting





## Sanitary mounted flange kit for MIVI sensor

### Sofraser sanitary 316L SS mounting flange models

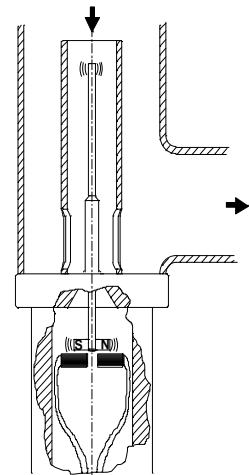
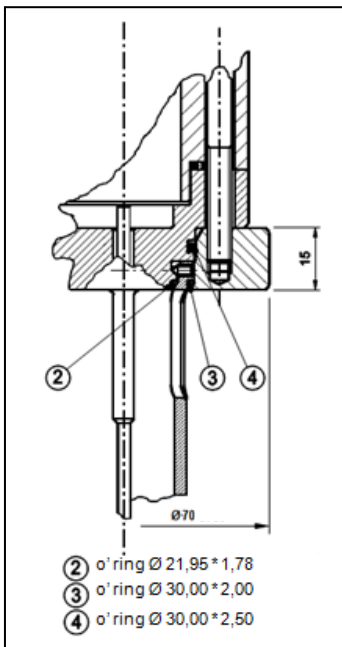
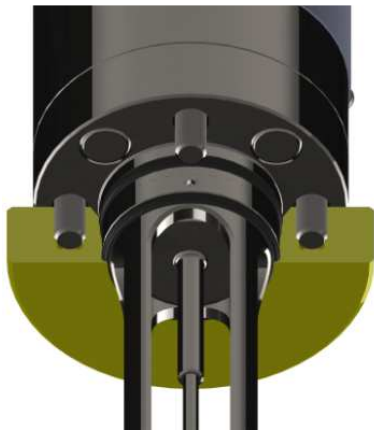
<b>3.AM002</b>	For sanitary MIVI with VITON O'Ring, cap, ring and screws (external diameter = 70 mm)
<b>3.AM022</b>	For sanitary MIVI with PTFE O'Ring, cap, ring and screws (external diameter = 70 mm)
	<b>Special designs</b>
<b>3.AM052</b>	Other alloy (316Ti, Hastelloy, SMO, Uranus...)
	Other external diameter – Consult us
	High pressure models – Consult us

In 1981, Sofraser invented & patented the world's first vibrating viscometer at resonance frequency.

The MIVI's vibration amplitude varies according to the viscosity of the product in which the rod is immersed.

The active part of the sensor, a vibrating rod held in oscillation at resonance frequency, is driven by constant electrical power.

Sofraser remains unsurpassed regarding process reliability and accuracy.



Quality System

